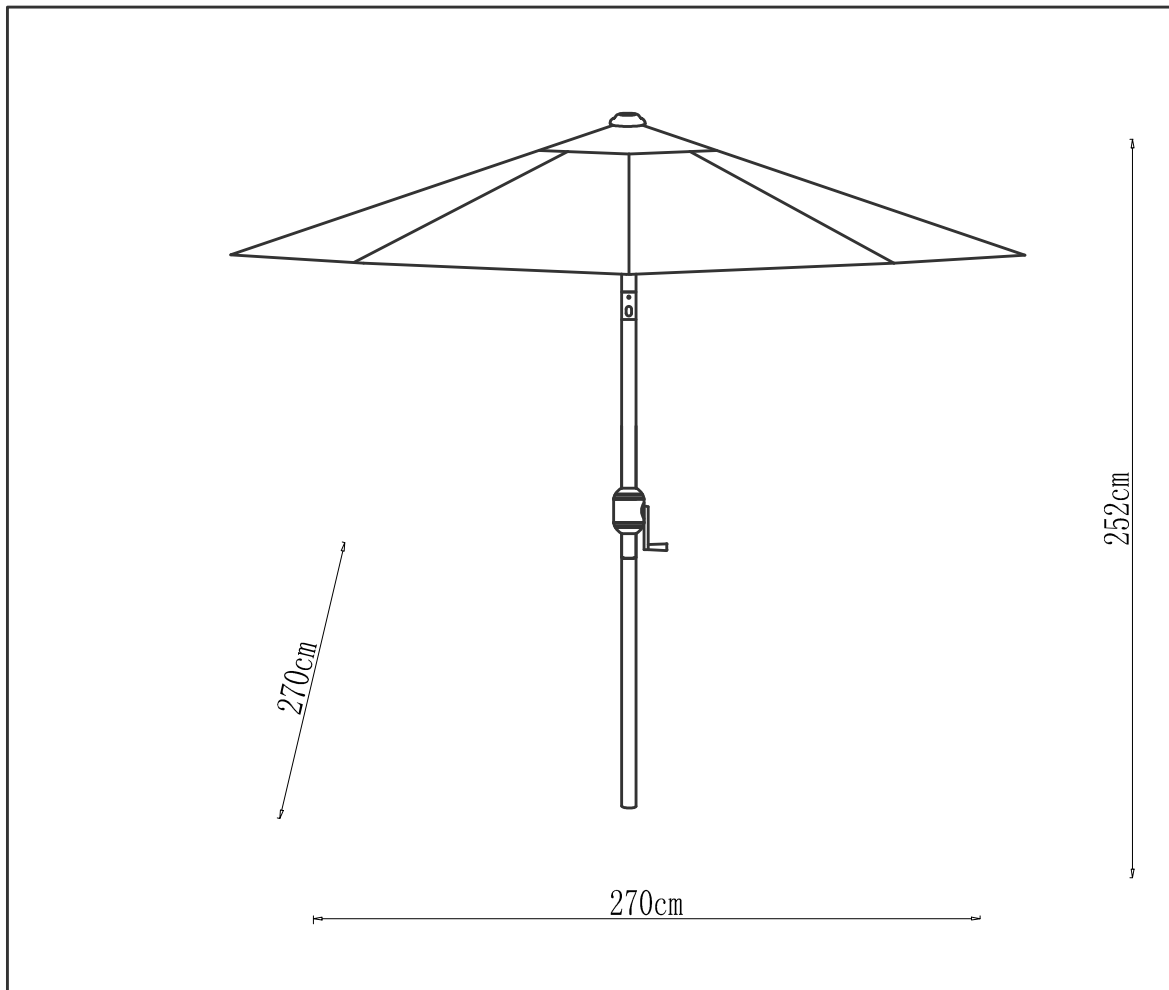




ASSEMBLY INSTRUCTION
SHADE MASTER MK2 ROUND TILT UMBRELLA

ITEM CODE - 65433

Imported by Amart Furniture Pty Ltd, Qld, Brisbane Australia .
For any assistance with assembly or for missing parts please phone
Amart Furniture , Customer Service Freecall 1800 351 084


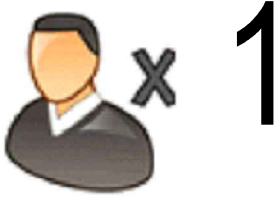


Imported by Amart Furniture Pty Ltd, Qld, Brisbane Australia .
For any assistance with assembly or for missing parts please phone
Amart Furniture, Customer Service Freecall 1800 351 084

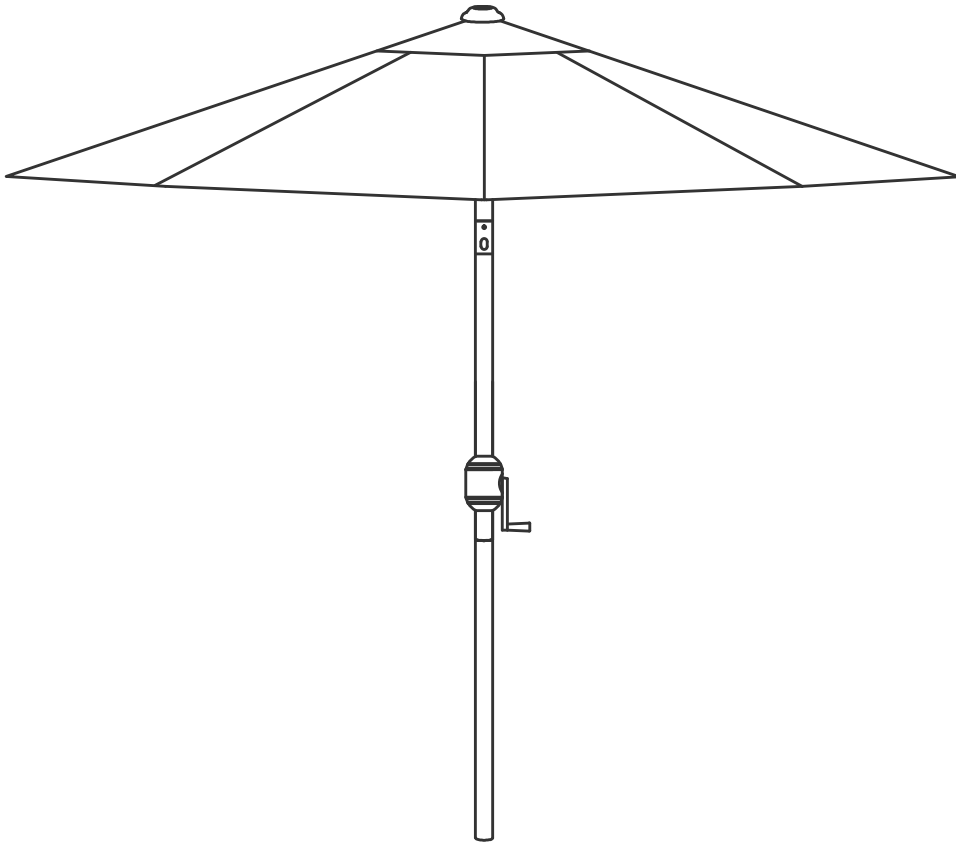
PRE-ASSEMBLY PREPARATION

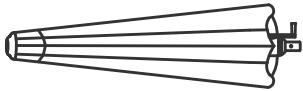

Before you start:

1. Choose a clean, level, spacious assembly area. Avoid hard surfaces that may damage the product.
2. Take care when lifting. Product should be assembled as near as possible to the point of use.
3. Ensure that you have all required contents for complete assembly.
4. Always read the assembly instructions carefully before beginning assembly.
5. Keep all hardware parts and packaging out of reach of small children.
6. Do not over tighten the screws and bolts as this may damage the threads.

	
ALLOW 10 MINUTES	PEOPLE REQUIRED
ADDITIONAL TOOLS REQUIRED	



PARTS LIST



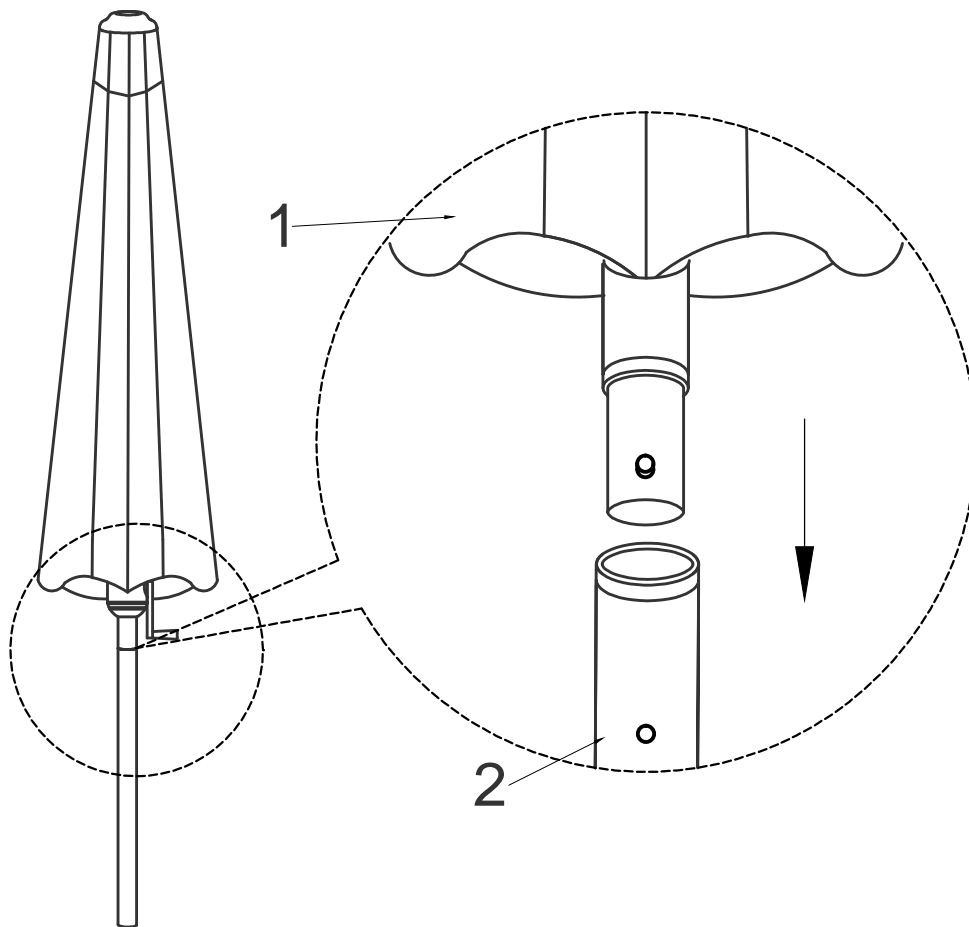
<p>1 Umbrella Frame 1PC</p> 	<p>2 Lower Pole 1PC</p> 
---	---

Step 1:

ITEMS REQUIRED

1. Umbrella Frame 1PC	2. Lower Pole 1PC
	

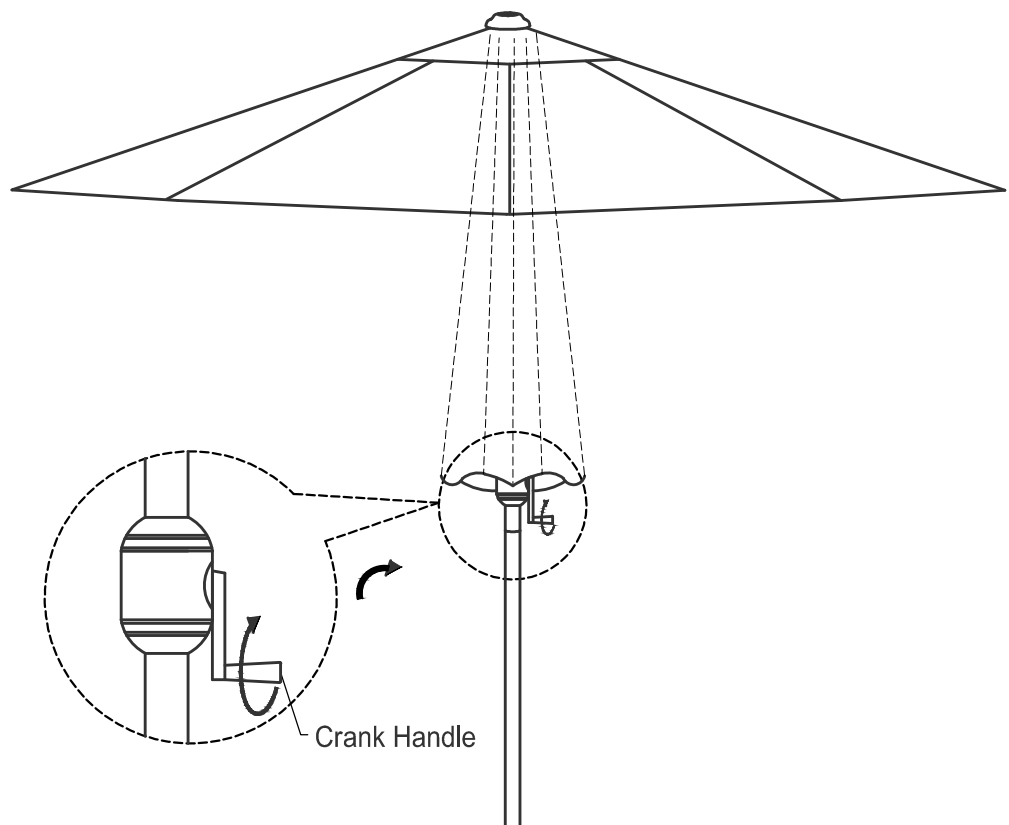
- Attach umbrella frame (1) to lower pole (2) using buckle.



Step 2:

ITEMS REQUIRED

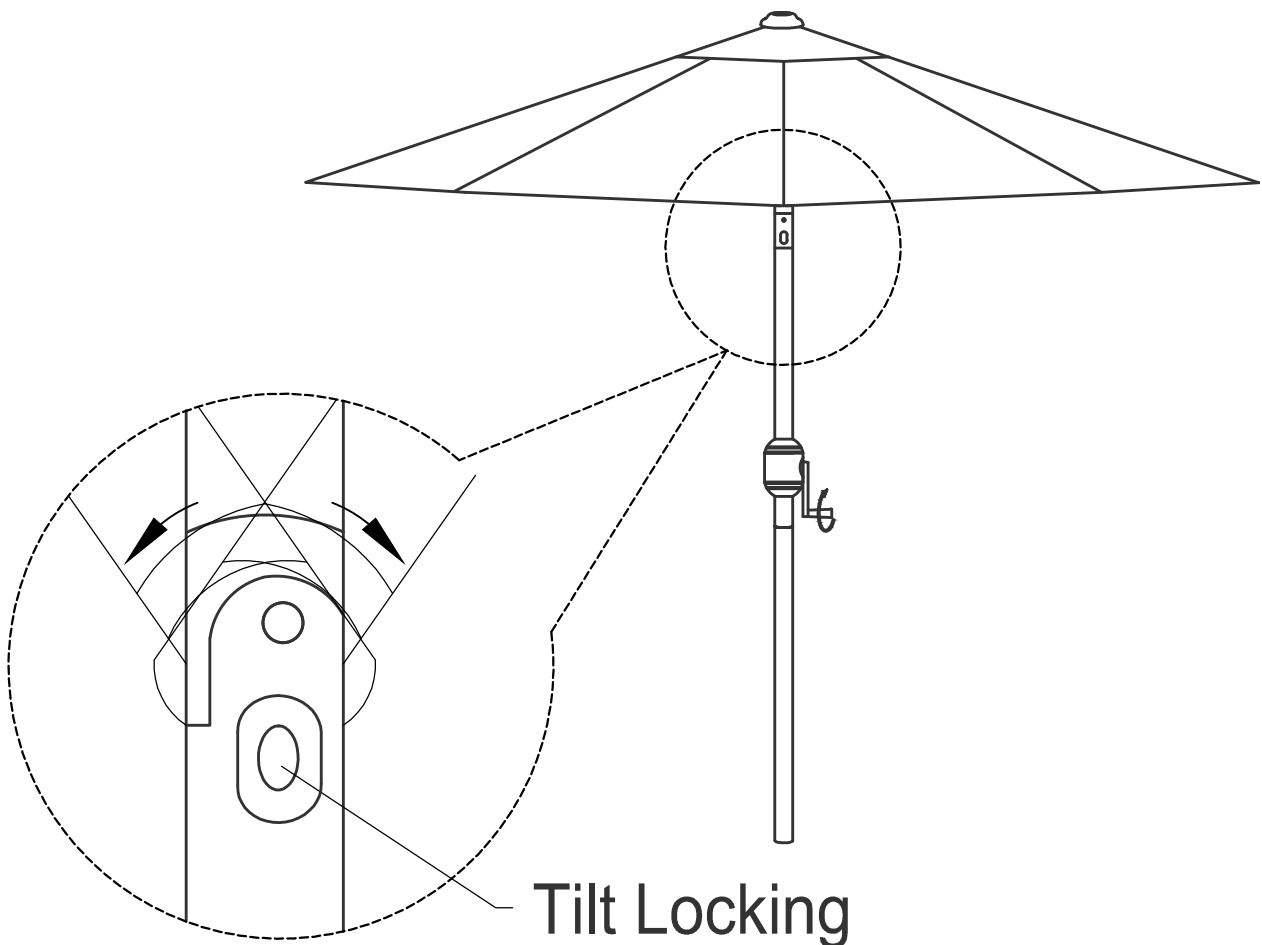
- Turn the crank handle in clockwise direction to open the umbrella.



Step 3:

ITEMS REQUIRED

- Control direction with tilt locking button.



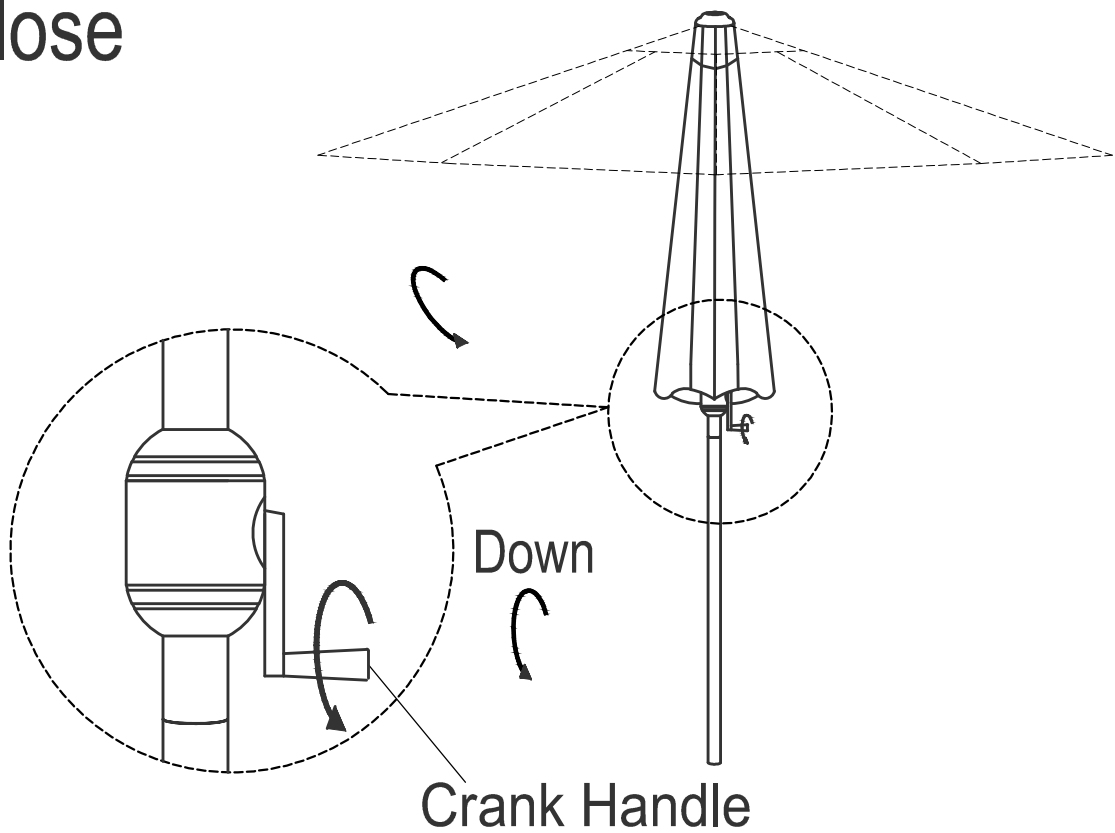
Tilt Locking
Button

Step 4:

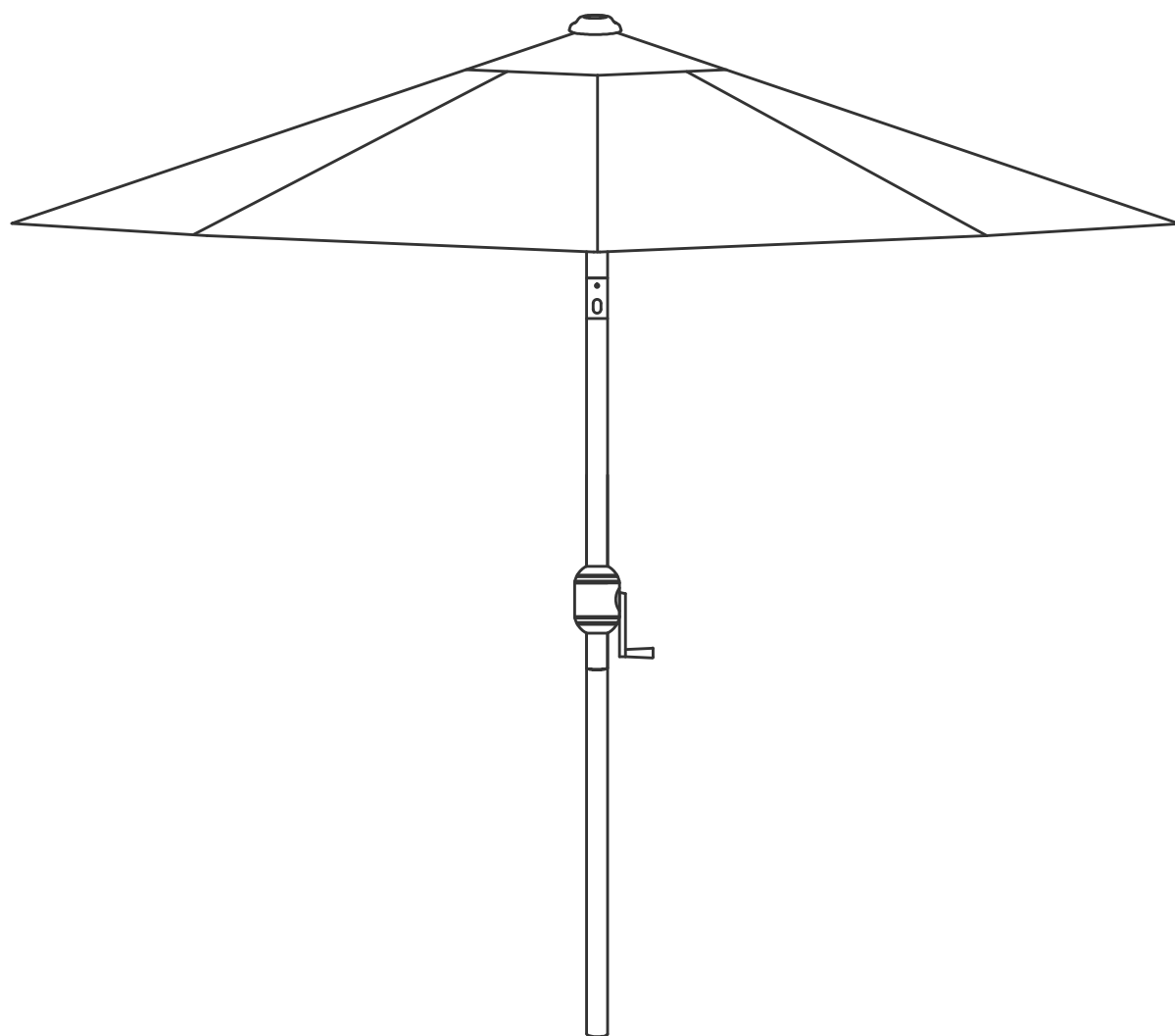
ITEMS REQUIRED

- Turn the crank handle in counter clockwise direction to close the umbrella.

close



ASSEMBLY IS COMPLETE



Care and maintenance



Safety:

- **Umbrellas are not permanent shade structure.**
- **Completely close and store in a dry place when not in use.**
- **Using this umbrella in strong winds can cause damage to the Umbrella, property and may also be a danger to people.**
- **Domestic free standing umbrellas are not recommended for exposed environments such as high balconies or roof tops.**

Wind:

- Excessive wind puts great stress on the frame, so please fully collapse this Umbrella in high wind conditions and when not in use.

Fabric:

- Do not store when wet as mould can occur.
- Do not allow sunscreen, sun tan oil or insect repellent to come into contact with the fabric as staining may occur.
- Avoid placing the Umbrella in areas where trees and plants can drip sap onto the fabric.

Cleaning:

- Spills and dirt should be removed immediately to avoid staining.
- Blot spills with a clean, dry cloth and avoid rubbing.
- Dust can be removed simply vacuuming or brushing with a soft brush.
- Spot wash individual dirt/stains with lukewarm mild soapy water with a soft bristled brush.
- Be sure to rinse thoroughly with fresh water and leave umbrella open to fully dry.
- Do not clean in direct sunlight.
- Do not use harsh cleaning products or pine oil cleaners.
- For persistent stains, consult a professional cleaner.

Frame/Base:

- Wipe clean with a soft cloth or soft bristled brush.
- For dirt/grime, use a mild soapy water with soft cloth.

Storage:

- When not in use, close the umbrella and store in a dry place.
- Use an umbrella cover where possible.